

VOYAGER 670

INSTRUCTION MANUAL



SAFETY PRECAUTIONS	02
SYSTEM HARDWARE AND ACCESSORIES	04
INSTALLATION INSTRUCTIONS	06
IMPORTANT NOTICES	20

TABLE OF CONTENTS

IMPORTANT SAFETY PRECAUTIONS

IMPORTANT SAFETY PRECAUTIONS

- Please read this manual thoroughly before attempting to install or operate any Kuiper Grow lighting systems.
- Follow each installation or repair step exactly as shown.
- Observe all local, state, and national electrical codes.
- After successful installation and configuration of the system, be sure to retain this manual in a safe place for future reference. Safety is a key component to a long lasting and trouble-free installation.
- It is important you read, fully understand, and observe the subsequent safety precautions. If you are not comfortable with the installation of high performance lighting systems, you should seek the services of a qualified installation professional or call us for help.
- NOTICE: Voyager 670 is high-performance lighting system. Do not touch while in operation.
- Connect the system only to the power sources of the appropriate voltage using the AC plug type received. Protect power cables from being pinched, walked on, or otherwise damaged. Be especially careful where the power cable enters the power outlet and the unit. Only connect the system to an electrical outlet or extension cord of appropriate type and rating. Connect the system only to the power sources of the correct voltage using the plug received.
- DO NOT defeat the safety purpose of a grounding or polarized plug by removing ground pins or using unsafe adapters. A polarized plug has two blades – one wider than the other. A grounding plug has a third ground prong in addition to the two main conductors. The wide blade or third grounding prong is provided for your safety. If the provided plug does not fit your outlet, consult an electrician to replace your obsolete outlet. If you replace the power cord, only use one of similar type and equal or greater current rating.
- The system should only be cleaned as directed in the manual. You should seek service for your system by qualified service personnel if any of the following occur:
 1. The power-supply cord or the plug has been damaged.
 2. The unit has been exposed to rain.
 3. The unit exhibits a marked change in performance.
 4. The unit has been dropped, or its enclosure or chassis is damaged.

CULTIVATION BEST PRACTICES

Kuiper Grow encourages everyone to experiment and pursue their own techniques. Every crop is different and everyone has different goals. However, our internal research has given us insight into several strategies we would like to share.

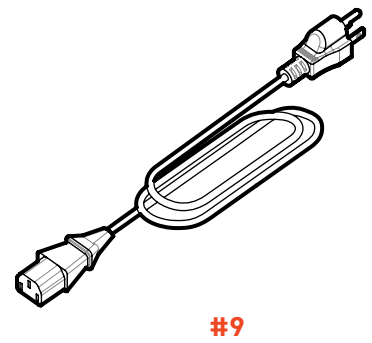
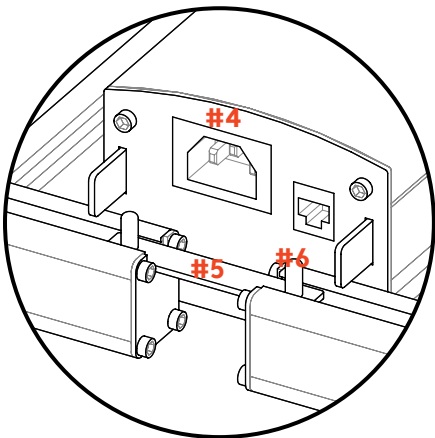
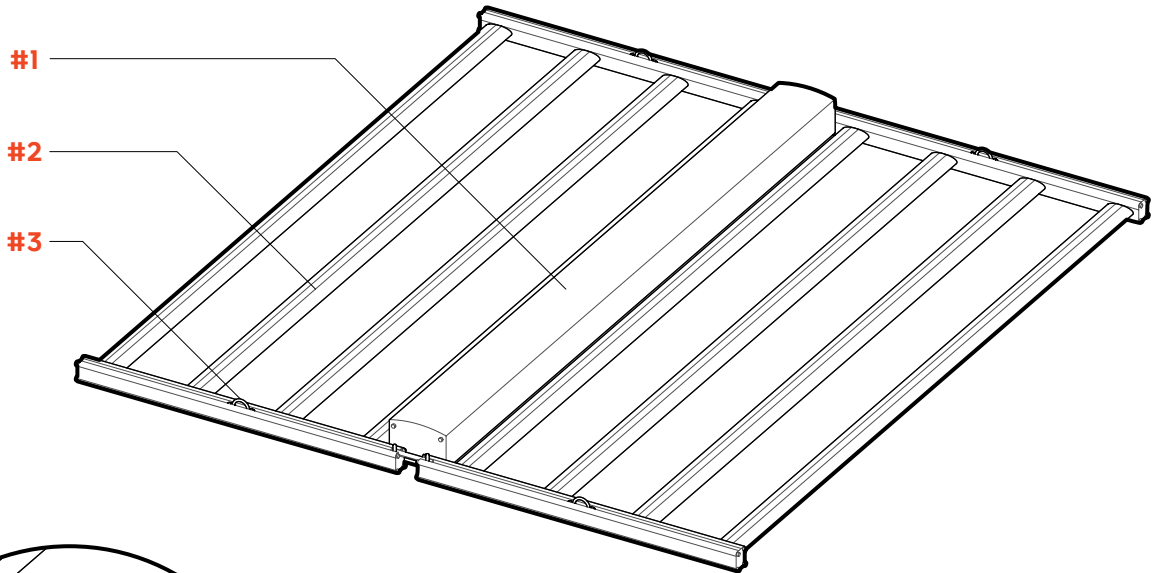
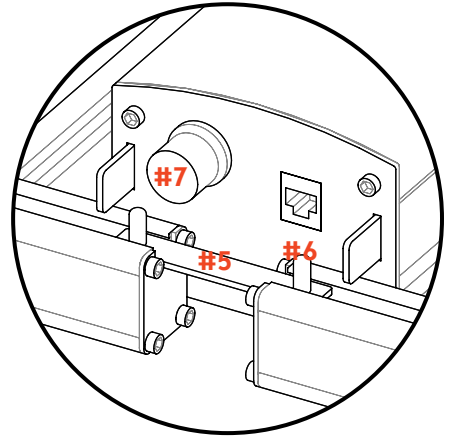
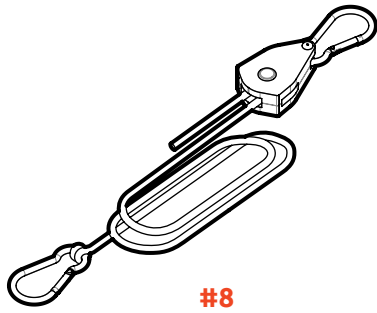
- Regularly check your plants' growth and health. Kuiper Grow lighting systems deliver high levels of PAR, typically more than experienced in nature. Adjustments to H₂O, CO₂, RH, nutrients, and temperature are typically required.
- Mount the fixture at least 6" from the top of your canopy to ensure optimal uniformity and consistent PPFD. The VOYAGER Series was designed to provide uniform light dispersion and requires precise deployment. A 1" variation in either direction will have a significant change in uniformity and PPFD (which may or may not be desired).
- Many plants prefer higher temperatures when exposed to high PPFD. Experiment with higher temperatures to achieve higher yields. Canopy temperature and room ambient temperature often vary. For accurate results, test at the canopy level to gauge leaf surface temperature.

GENERAL CARE

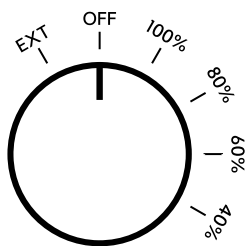
Kuiper Grow lighting systems are passively cooled with zero moving components. They are designed for harsh environments and years of maintenance-free performance. Some basic care will keep your system operating at peak performance cycle-after-cycle.

- Natural convection removes heat away from the heatsink. In order for the system to properly cool itself, at least one inch of space is required between the console and the roof of your grow area. Failure to do so may shorten the fixture's lifespan.
- To achieve the optimal lifespan and performance of your fixtures, routinely check for and remove excess dust, debris, and mineral build up from heatsink and LED array. Cleaning should always be done with the fixture unplugged from its power source using low-pressure compressed air or water to rinse away dirt from light bars.
- Never use a cloth to clean the diode array. Doing so can scratch or compromise the integrity of the silicon seal, or dislodge diodes entirely.
- To limit degradation, avoid touching the diodes with your hands, even in a powered off state.

SYSTEM HARDWARE & ACCESSORIES



- #1 V670 - built-in driver by MEAN WELL
- #2 V670 - SAMSUNG + LG(UV) LED panel
- #3 Mounting hooks
- #4 Power supply socket
- #5 Joint brackets
- #6 Joint screws
- #7 Power/Brightness knob



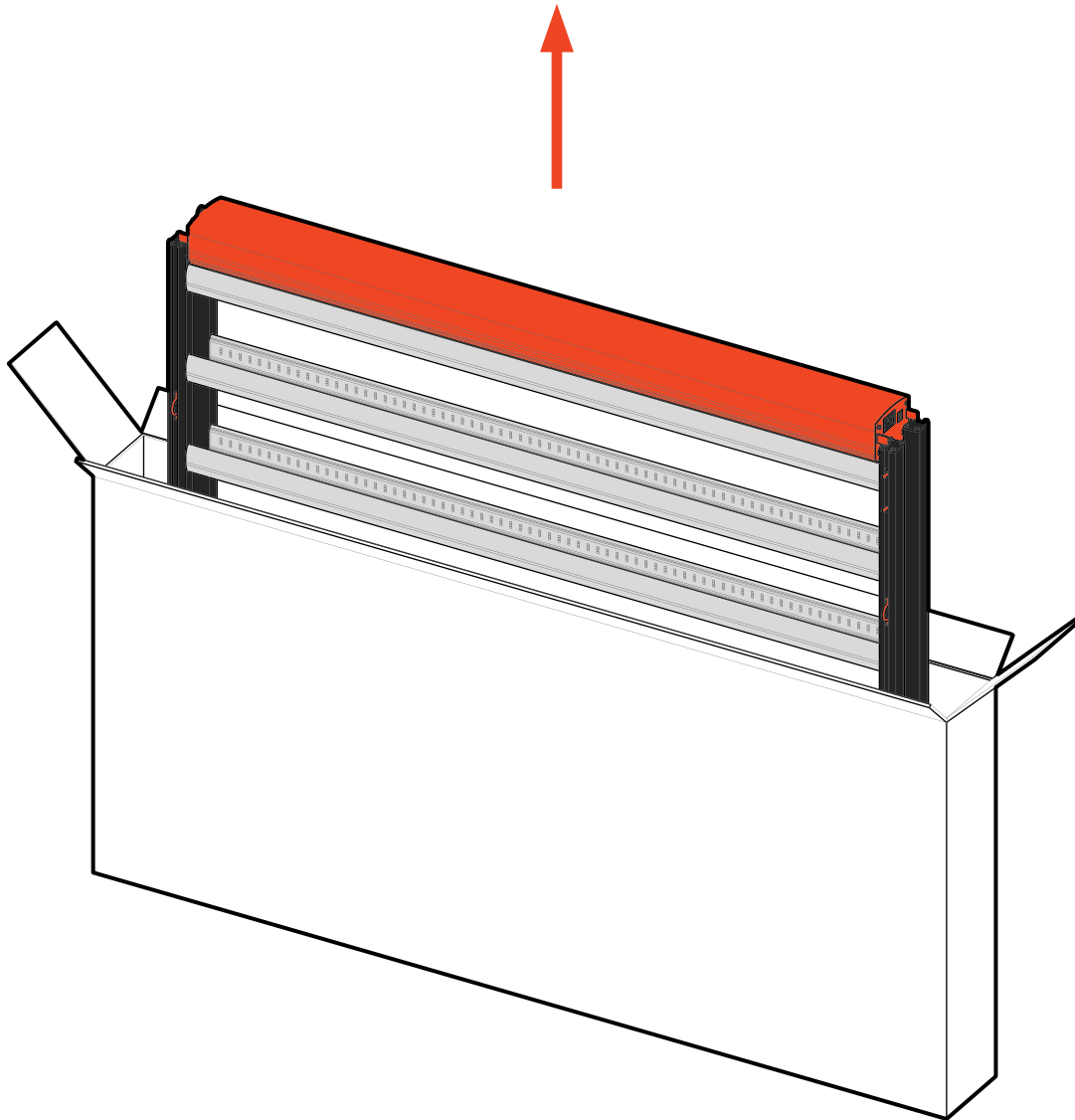
- EXT** EXT
- OFF** Power off
- 100%** Power on and bring V670 grow light to 100% brightness
- 80%** Power on and bring V670 grow light to 80% brightness
- 60%** Power on and bring V670 grow light to 60% brightness
- 40%** Power on and bring V670 grow light to 40% brightness

- #8 Adjustable mounting cable
- #9 Power Cord

INSTALLATION INSTRUCTIONS

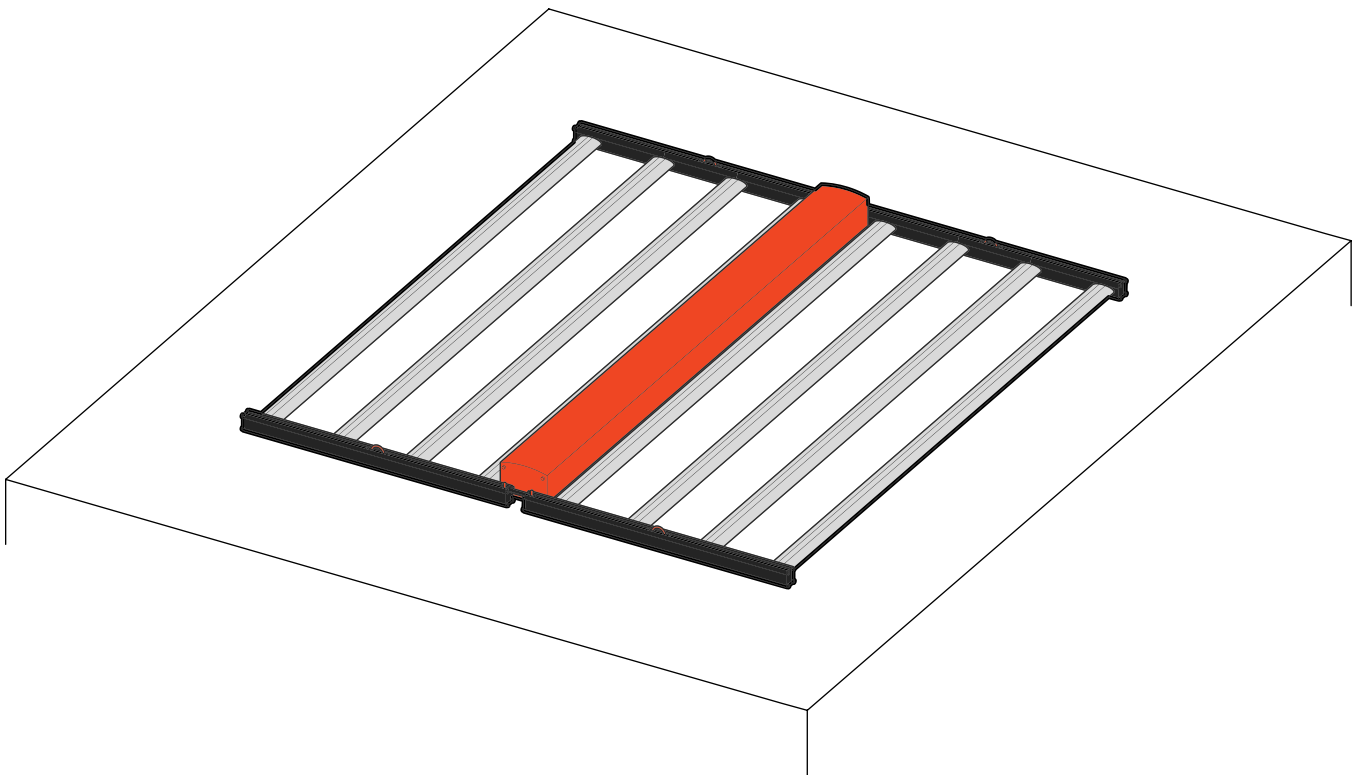
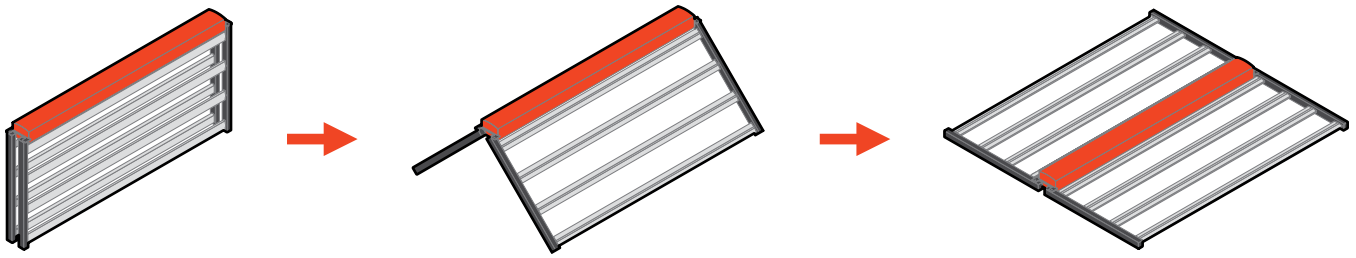
STEP 1:

Take Kuiper Grow LED grow light out from package. Do not use knife to open package to avoid damage.



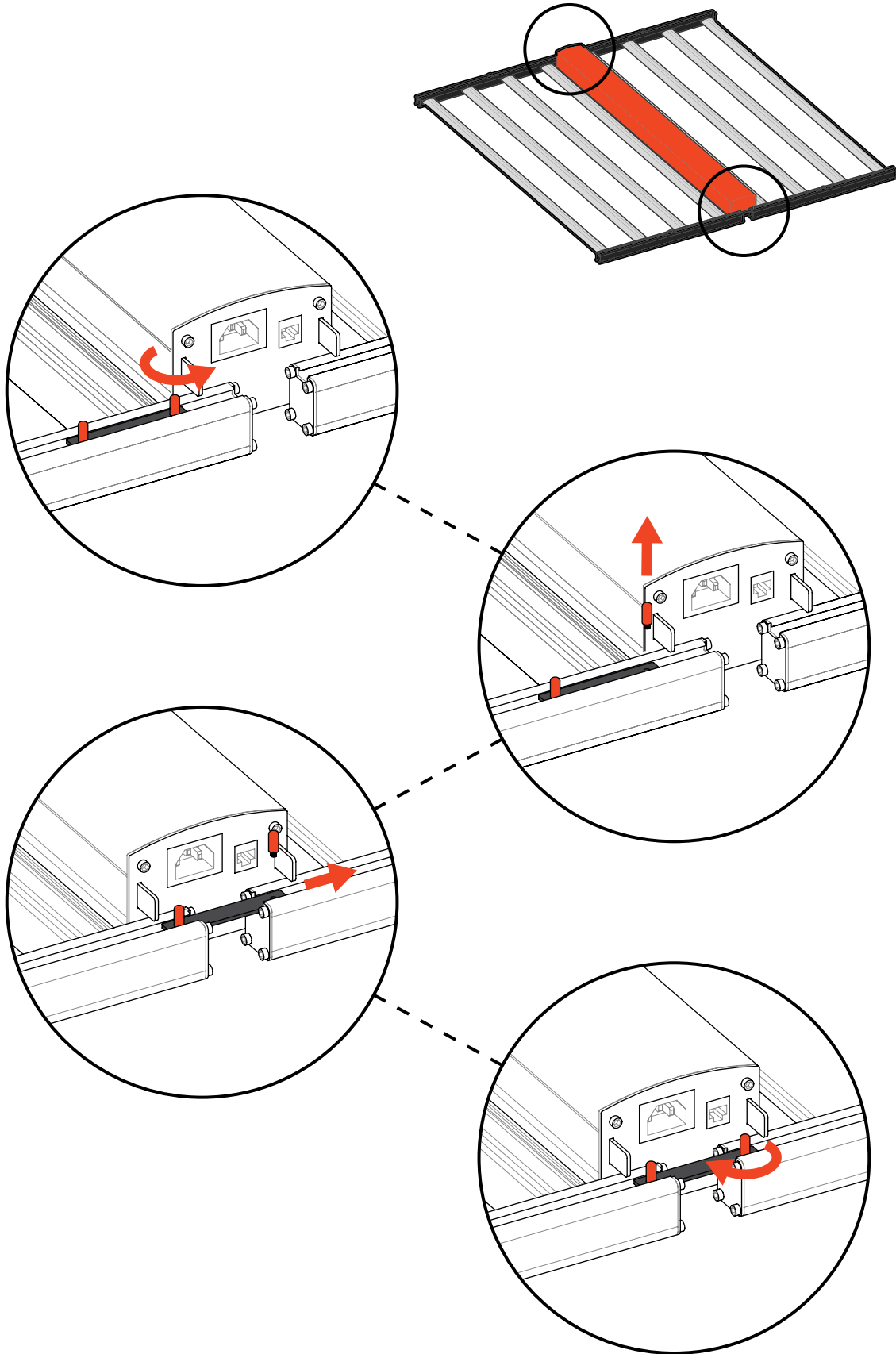
STEP 2:

Lay it flat on a dry, clean, static free surface, LED diodes facing down.



STEP 3:

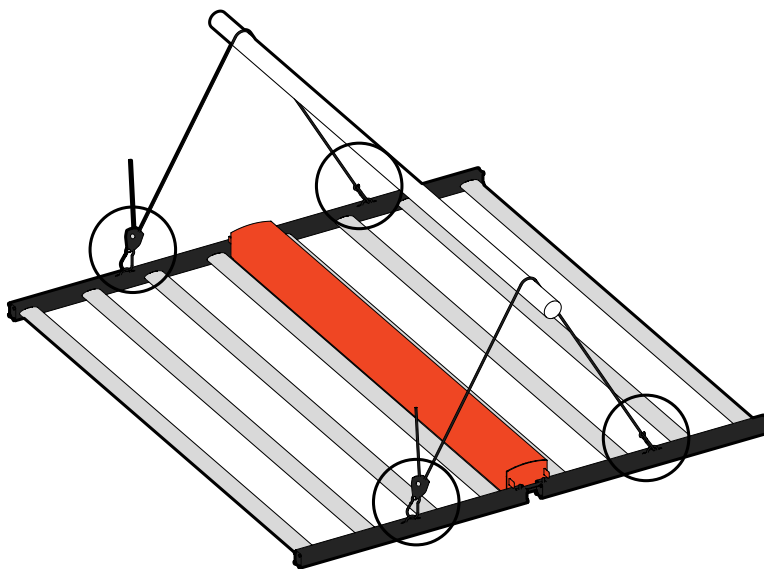
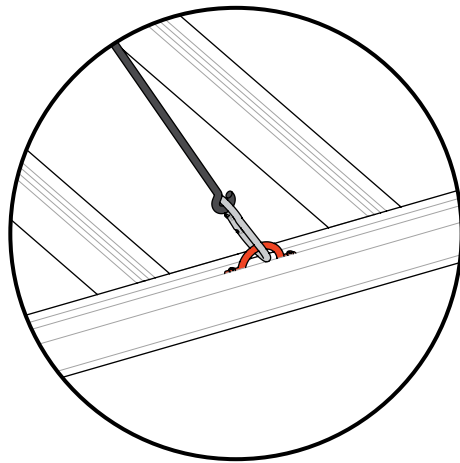
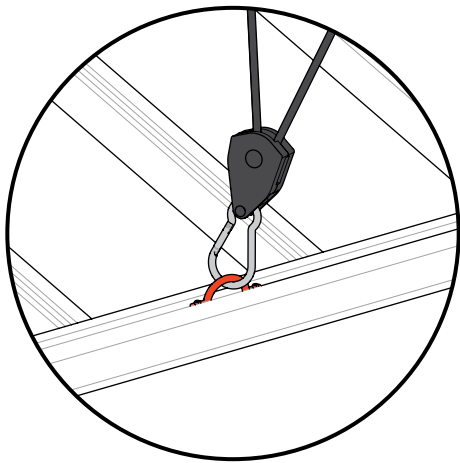
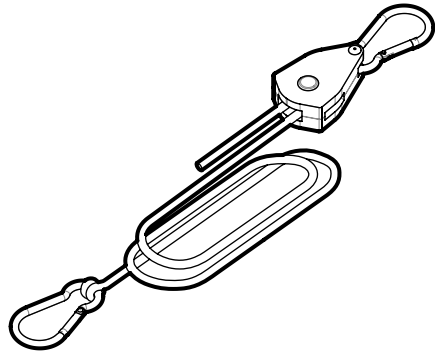
Lock fixture with joint brackets on both sides.



STEP 4:

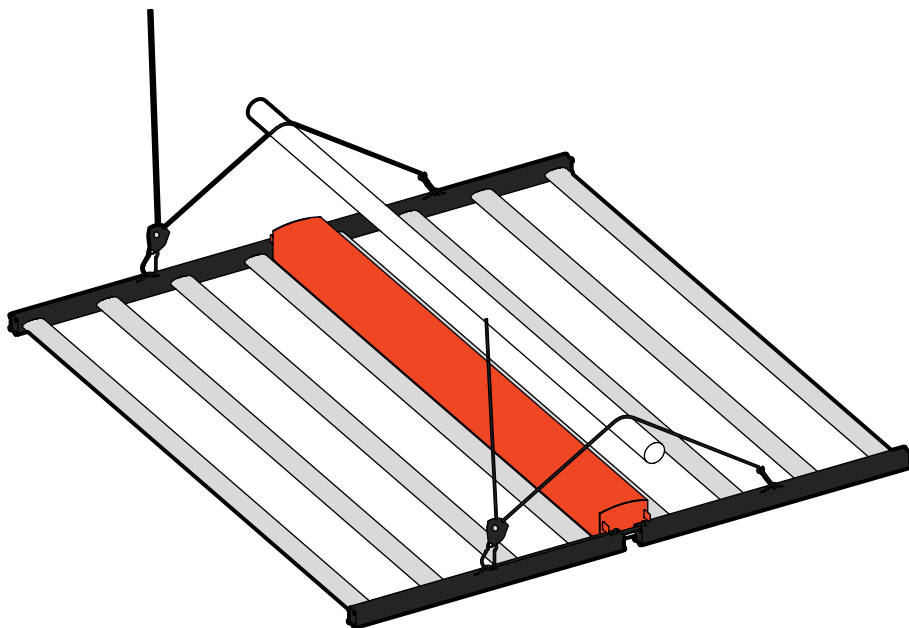
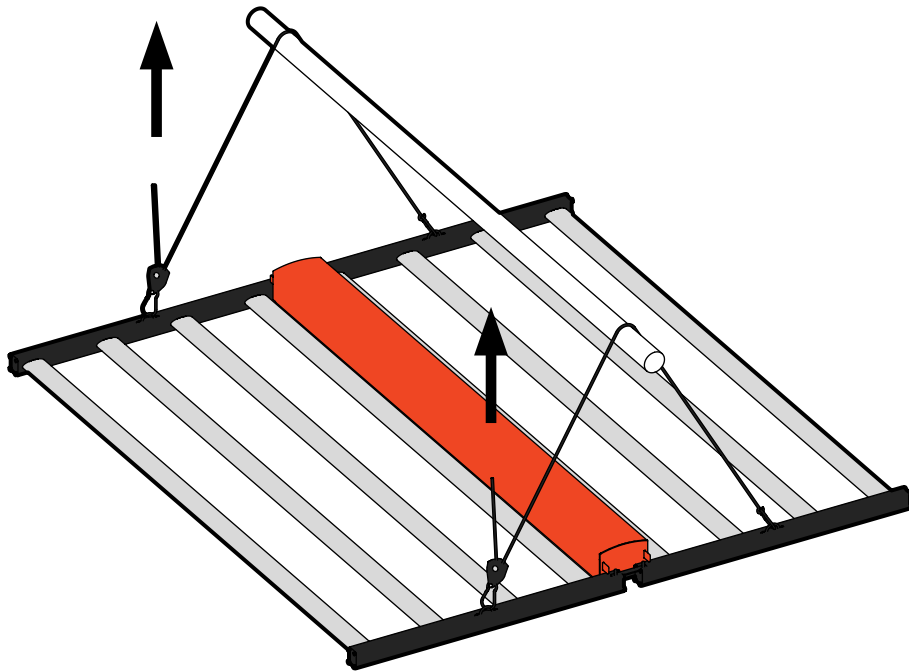
Attach mounting cables to the fixture.

Use two people to lift and hang the fixture to a support structure.



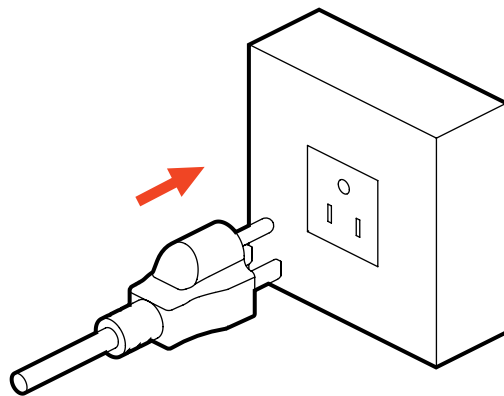
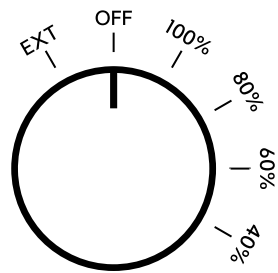
STEP 5:

Make fine adjustments to each cable until the fixture is level and to the desired height.



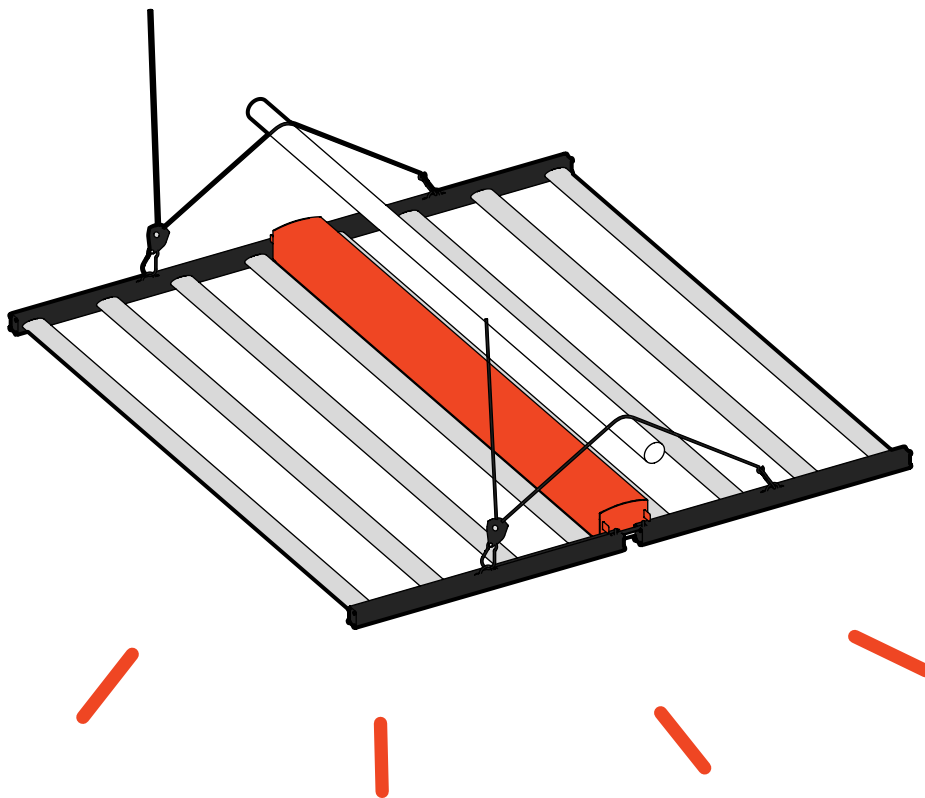
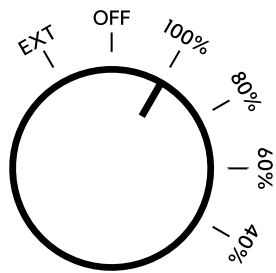
STEP 6:

Make sure the power knob is turned to "OFF", then plug in power supply.



STEP 7:

Turn the knob to "100%".



IMPORTANT NOTICES

WARNING

Risk of electrical shock. To reduce the possibility of serious injury, always take the proper precautions and unplug the fixture before moving or cleaning.

WARNING

Fixture and power supply are UL 1598 Wet Location rated but are not designed to be submerged in water. In the event that the module or power supply enclosure becomes submersed, first disengage the circuit breaker, then unplug submersed components before proceeding to remove from water.

CAUTION

To prevent eye damage, avoid looking directly at the unshielded LEDs.

CAUTION

LED and heat sink surfaces may be hot. Allow sufficient cooling time before handling.

CAUTION

To reduce the risk of overheating or fire, never place operating fixtures face down on a flush surface. Always allow for adequate ventilation of fixtures and power supplies.



info@kuipergrow.com

www.kuipergrow.com

Instagram: @kuipergrow

